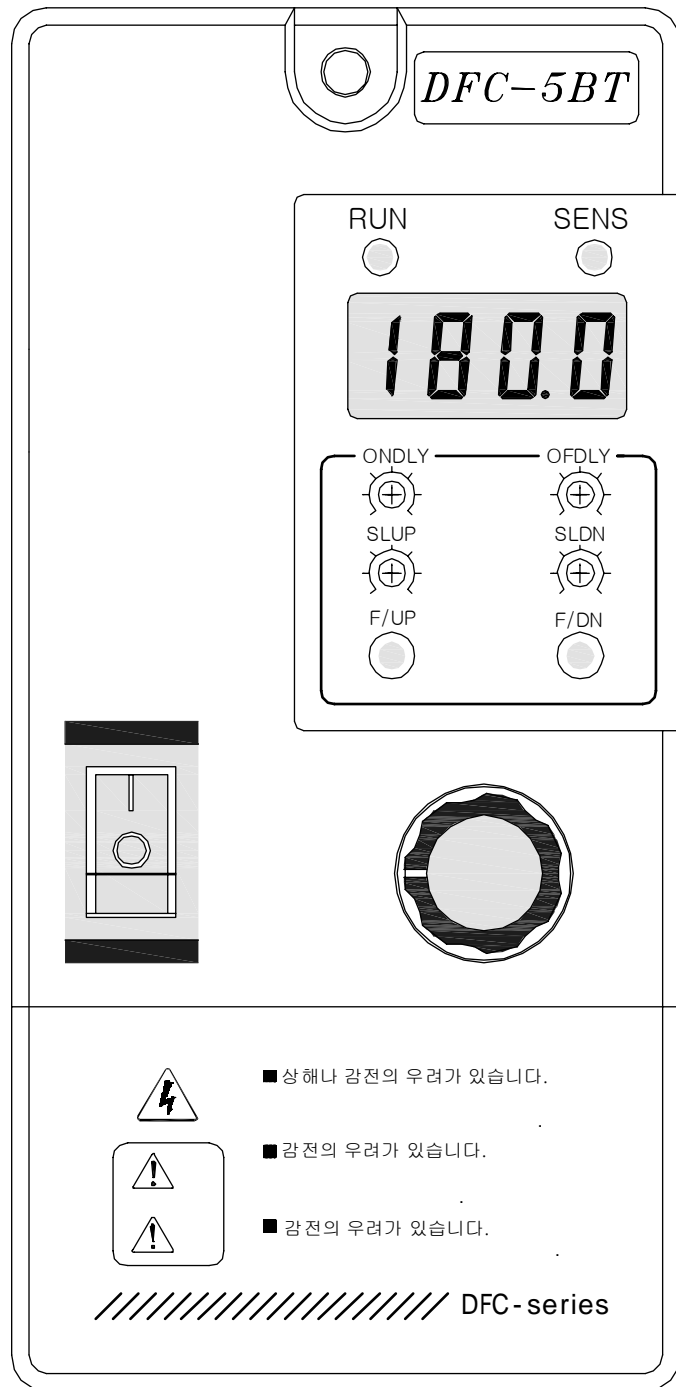


DFC-5BT



[]

1.	3
2.	5
2-1.	5
2-2.	6
2-3.	7
2-4.	ON/OFF DELAY	7
2-5.	SLOW UP/DOWN	7
3.	8
3-1.	Over-flow	8
3-2.	(NO/COM)	9
3-3.	/	9
3-4.	(VR)	10
4.	10
5.	11
6.	12
7.	13
8.	14



feeder

가 가

ON/OFF

FEEDER ON/OFF

가 (IN)

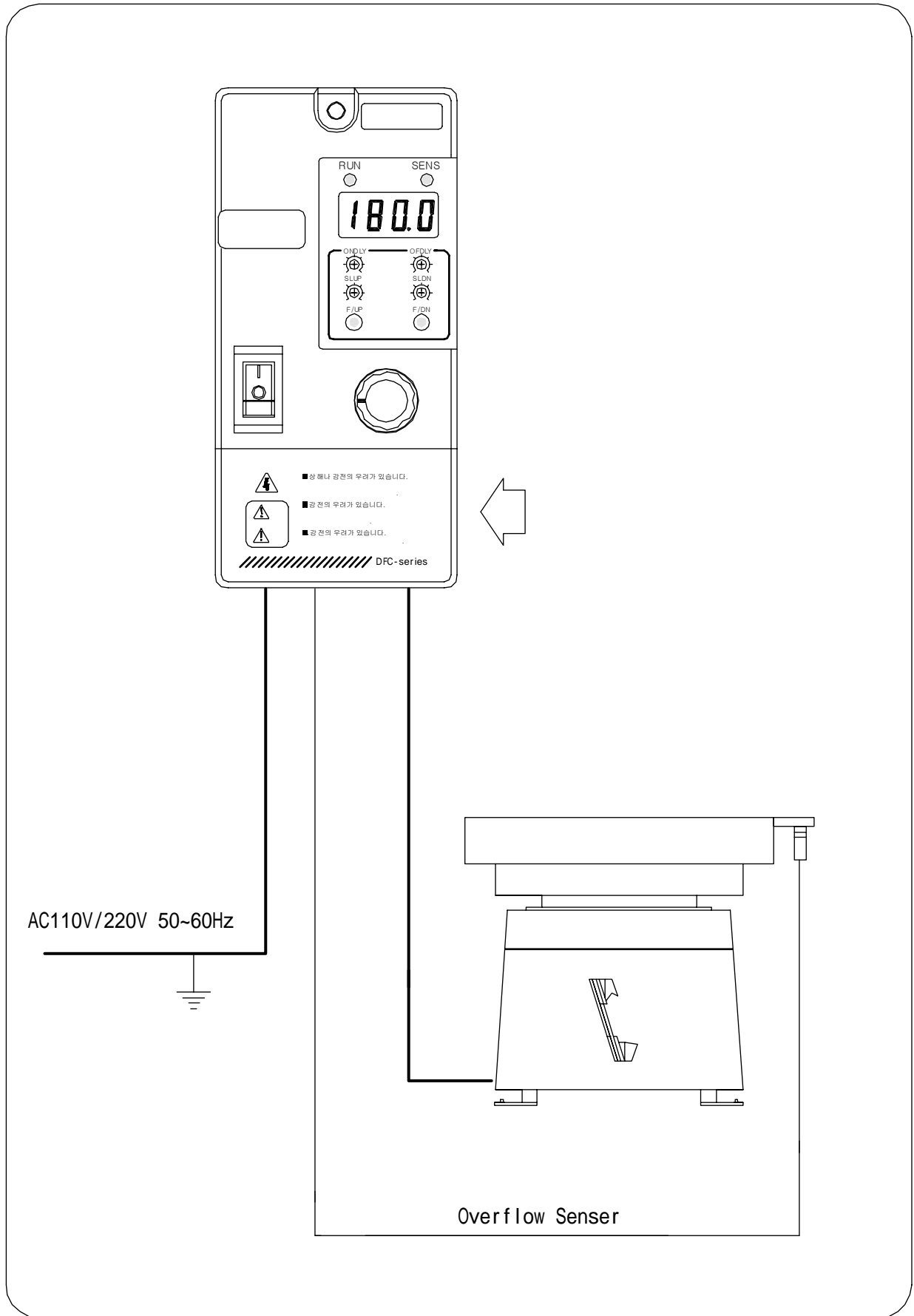
ON/OFF

FEEDER 가

LEAK 가 가

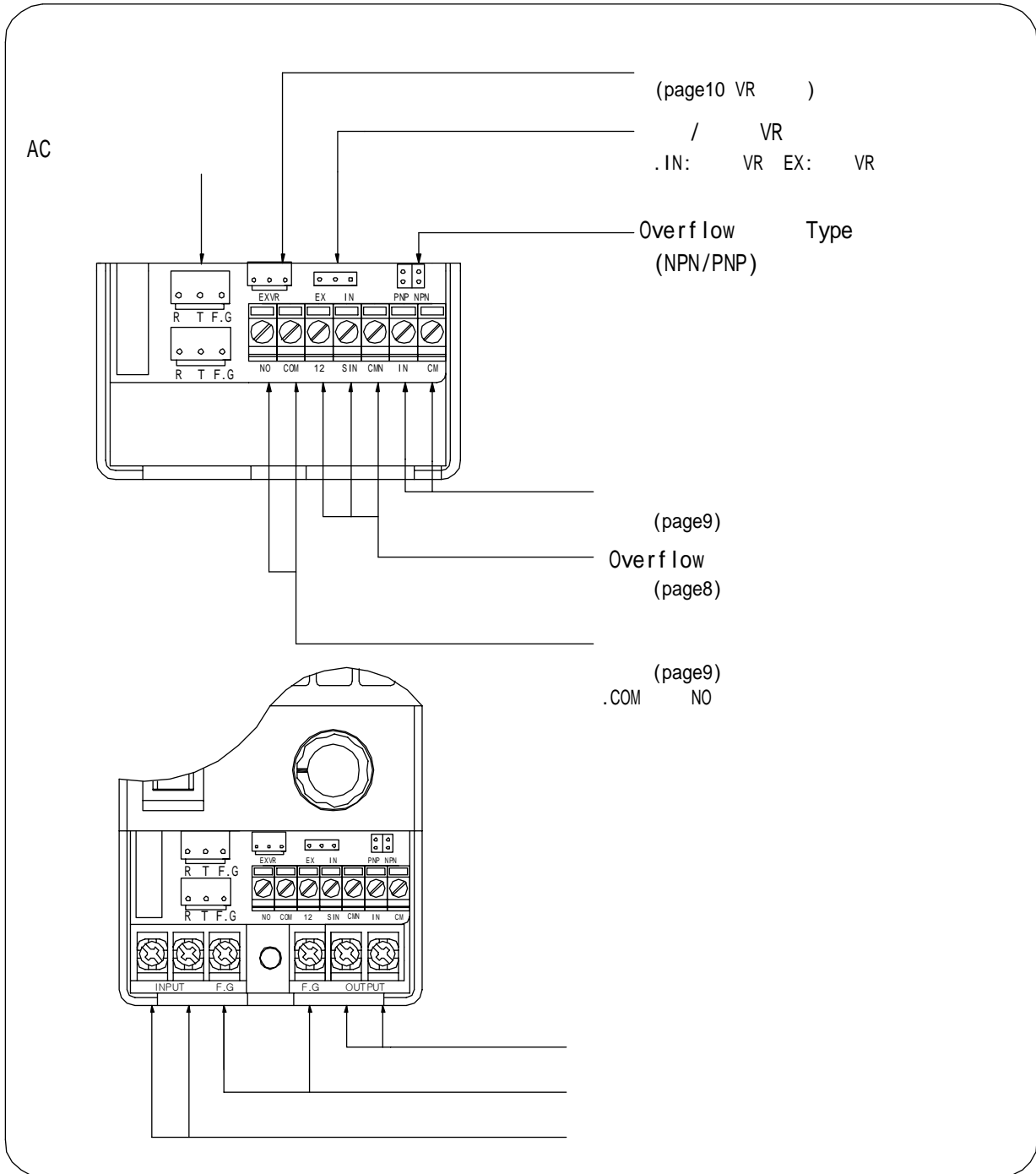
가

1. []
FEEDER



- 1.
- 2.
- 3.

FUSE



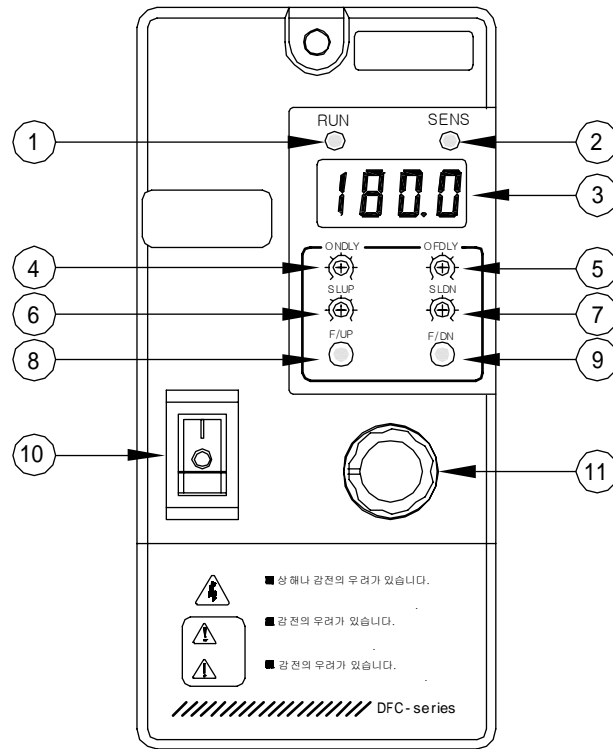
*

220V
110V

. 110V

2.

2.1



1. LED : over flow
2. over flow LED : overflow 가
3. 7-SEGMENT()
4. ON DELAY VR
ON
5. OFF DELAY VR
OFF
6. SLOW UP VR
7. SLOW DOWN VR
8. F/UP 가 KEY
9. F/DN KEY
- 10.
11. VR

2.2

1. ON

* ON

RUN : / (IN) 가 ON

RUN LED

STOP : RUN



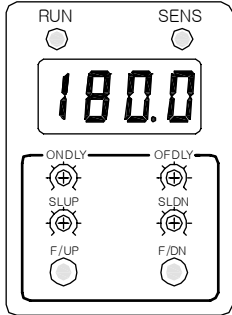
2. F/UP KEY 180.0Hz

VR

* .RUN : / (IN)가

ON

.STOP : RUN

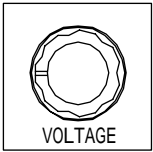
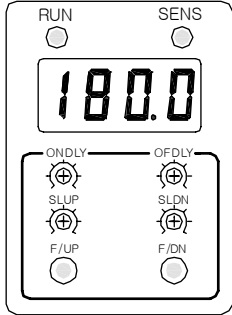


3. VOLTAGE VR

* (page7)

4. FRQM UP/DOWN KEY 가

* (page7)

*RUN LED FEEDER 가 *

1. 가 가?

F/UP KEY 가 가 F/DN KEY 가 .

2. 가?

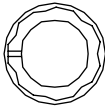
VR 가, 가.

2.3

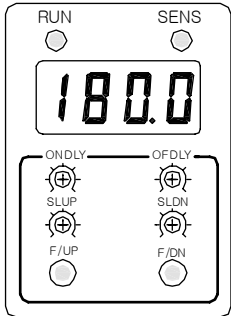
1.

.VOLTAGE VR

VR : 가 ,



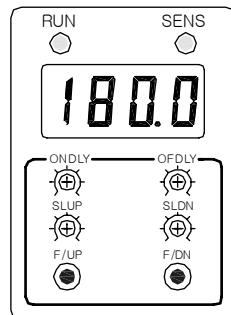
VOLTAGE



2.

.FRQM KEY

F/UP	: F/UP KEY	0.1Hz	가
			가
F/DN	: F/DN KEY	0.1Hz	

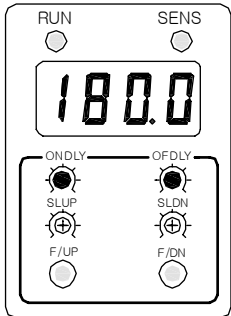


2.4 ON DELAY, OFF DELAY

1. OVER FLOW SENSOR ON/OFF TIMER

ON DLY, OFF DLY VR

VR: , 가.

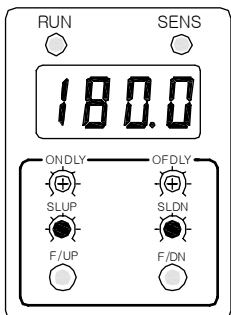


2.5 SLOW UP, SLOW DOWN

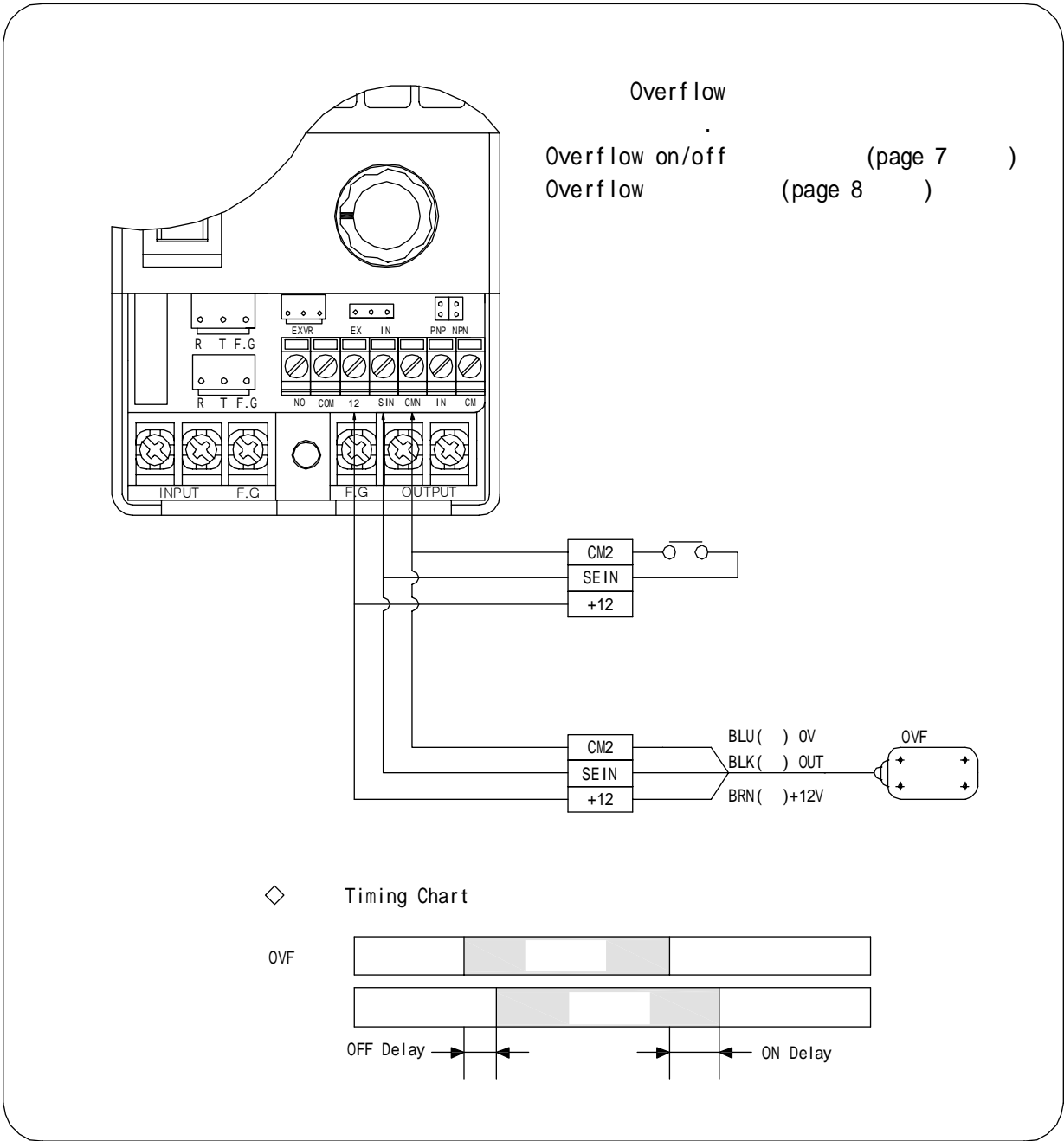
1. SLOW UP SLOW DOWN

SLOW UP, SLOW DOWN VR

VR: , 가.



3.1 Over-flow

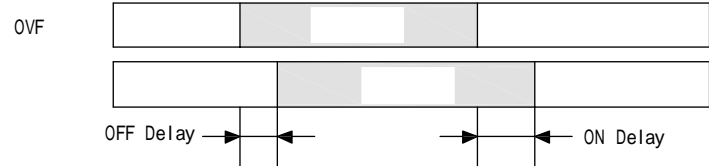


Overflow

Overflow on/off
Overflow

(page 7)
(page 8)

◇ Timing Chart



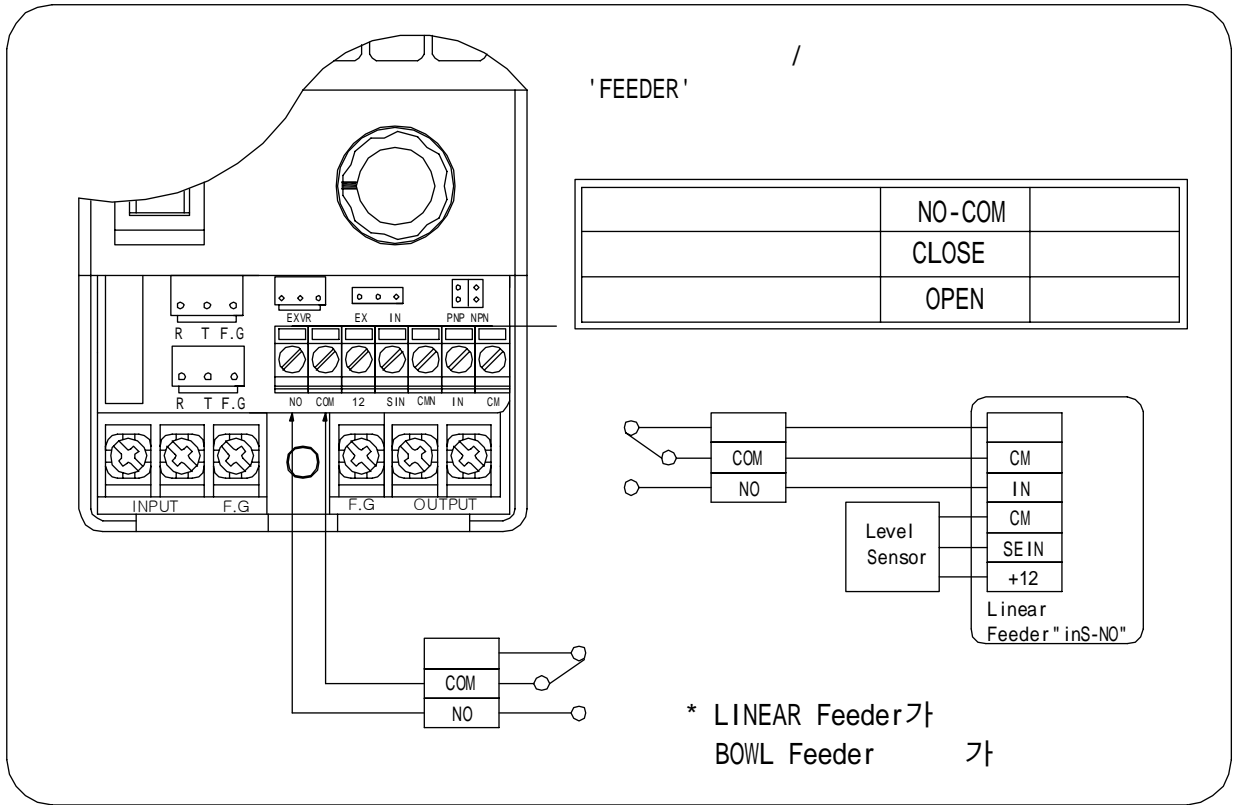
* *

Overflow on time/off time
Overflow nc/no

.(page 7)
(page 8)

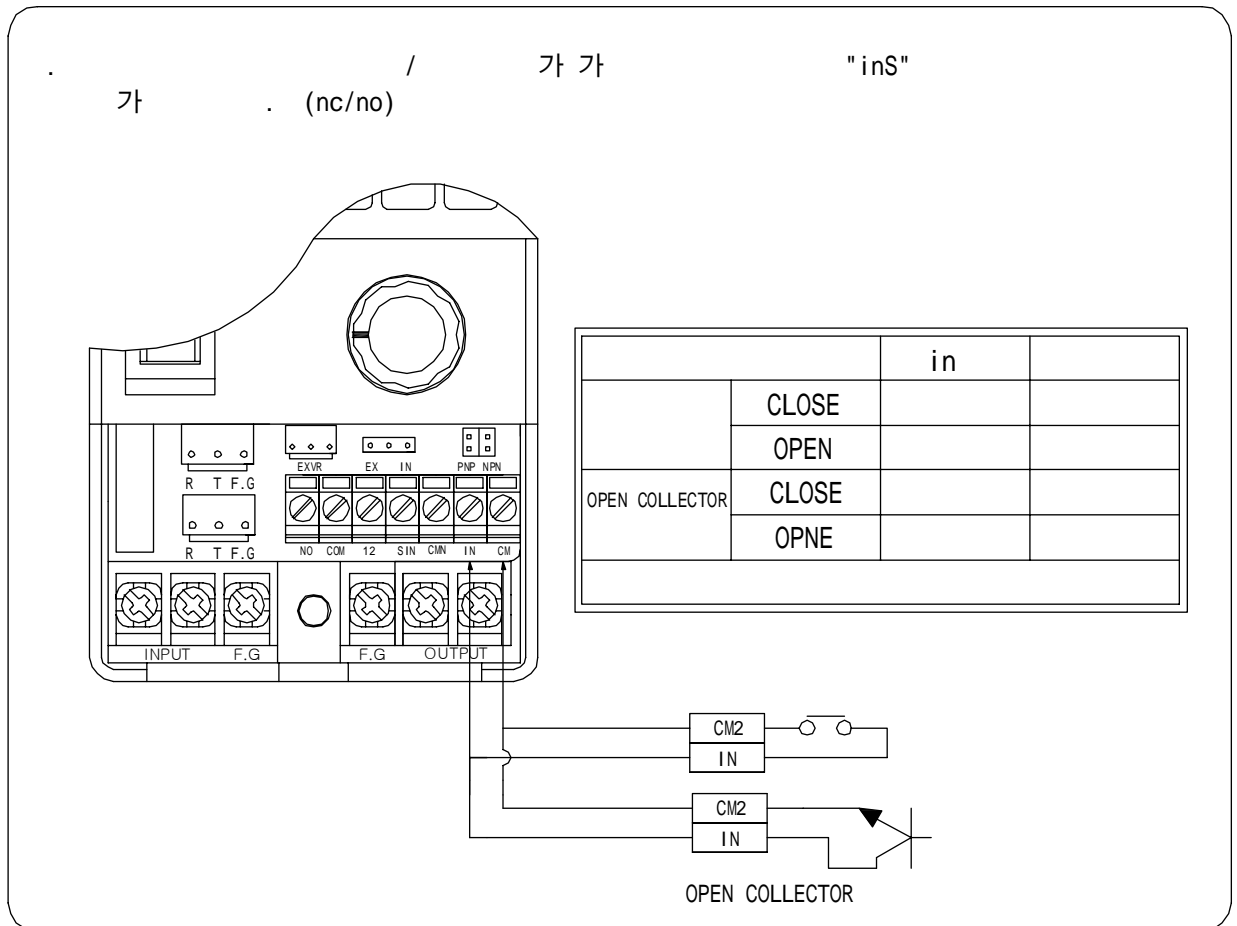
3.2

(NO/COM)

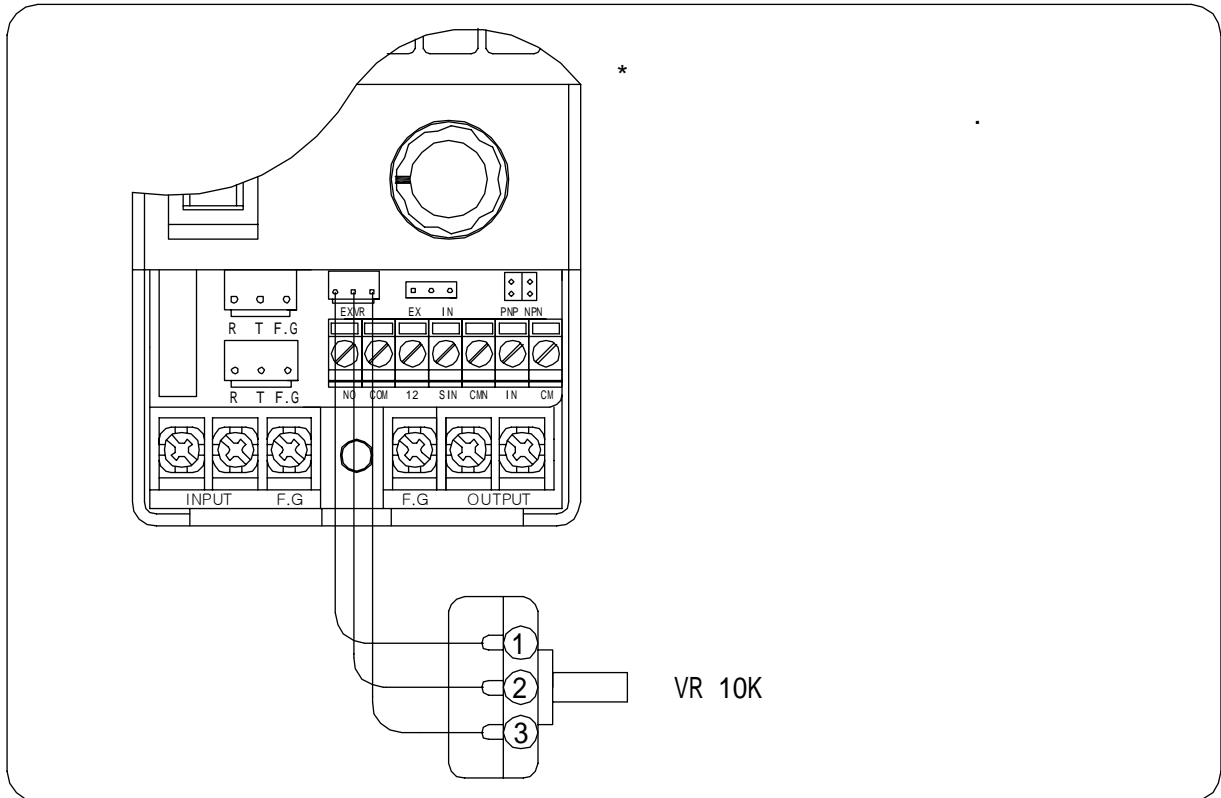


3.3

가 (nc/no) 가 가 "inS"



3.4 (VR)



4.

1	F/UP	*	40.0Hz~180.0Hz	180.0Hz
2	F/DN	*	40.0Hz~180.0Hz	180.0Hz
3	ONLY	* On On Timer(Sensor On Timer)	0.1~20.0 Sec	0.1
4	OFDLY	* Off Off Timer(Sensor On Timer)	0.1~20.0 Sec	0.1
5	SLUP	*Slow up	0.1~3.0 Sec	0.1
6	SLDN	*Slow Down	0.1~3.0 Sec	0.1

5.

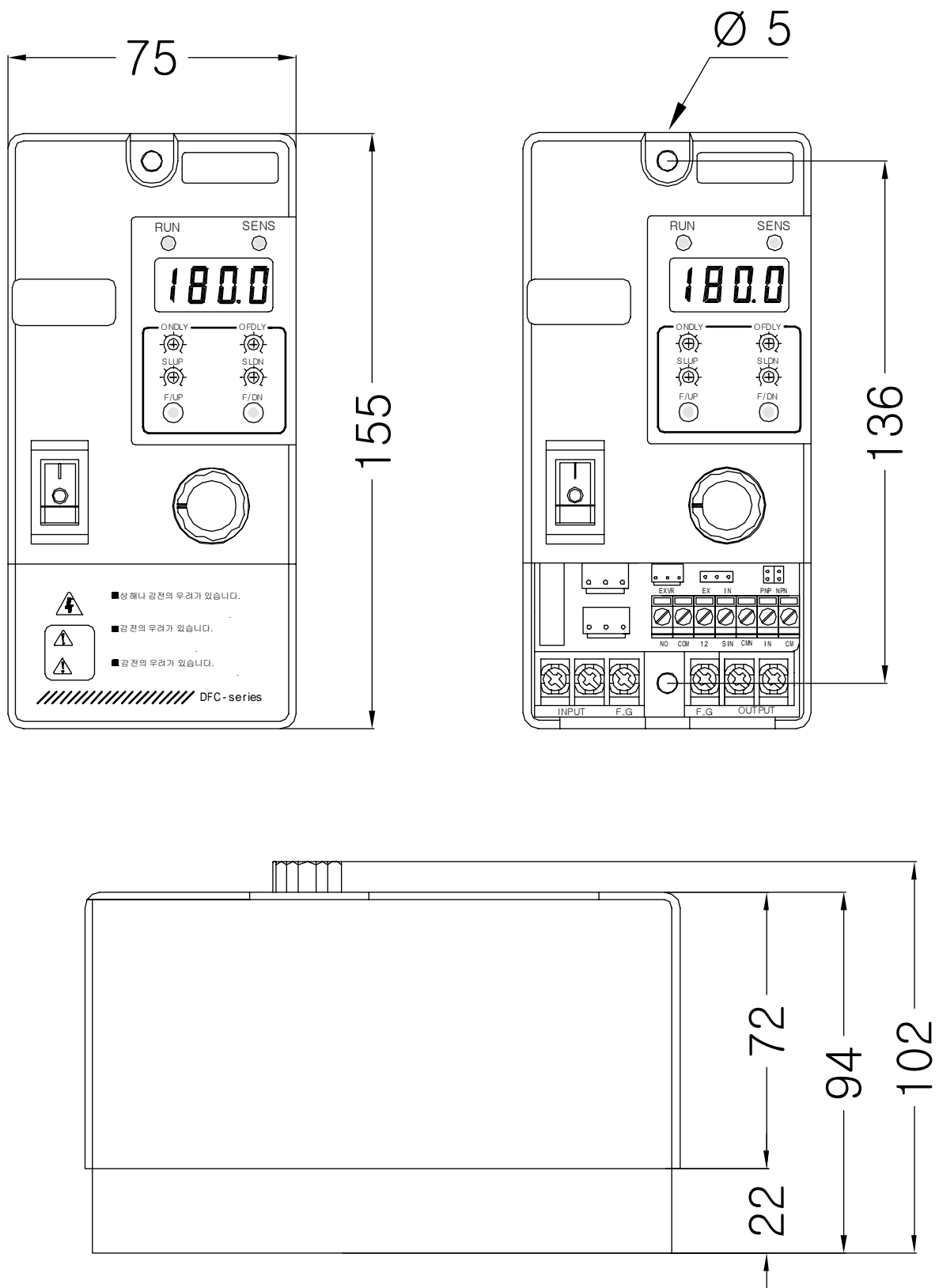
		DFC - 5BT	
		AC110V/220V 50/60Hz	
		F/UP, F/DN - Key	
		40.0HZ ~ 180.0HZ	
		0.1HZ	
		VR/ VR	
		0.0V ~ 200.0V	
		0.1V	
			5A
			PWM
			RISC CPU Digital
			on/off (PLC) (no)
			RUN / (Over flow) : nc/no on delay timer : 0.1~20.0 off delay timer : 0.1~20.0
			2 (COM, NO)
		Soft Start	0 ~ 3.0
		Soft Stop	0 ~ 3.0
		0 ~ 40'C	
		10 ~ 90%	
		0.85kg	
		75X155X102	

6.

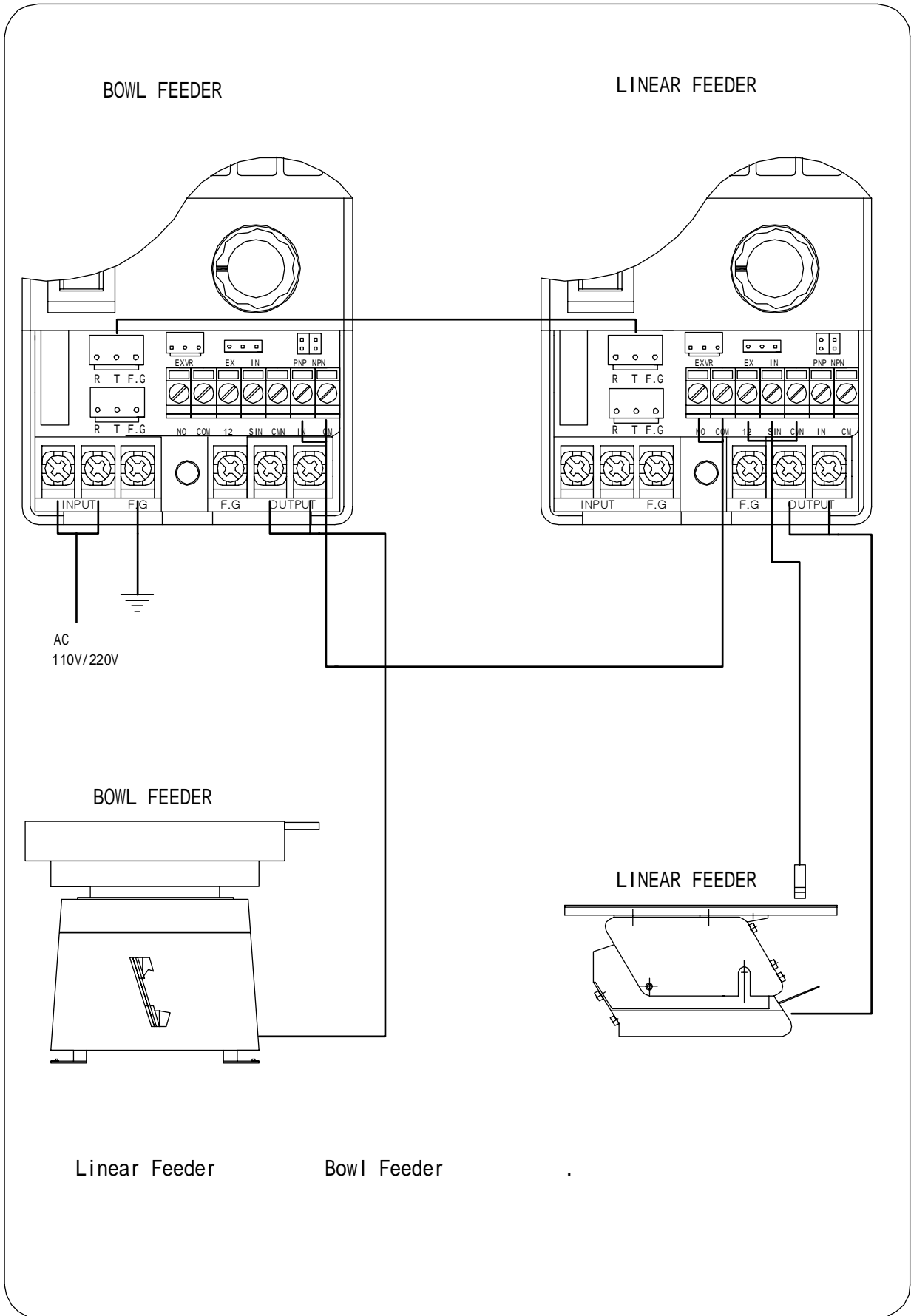
가		
	가 POEWER 가?	가? .

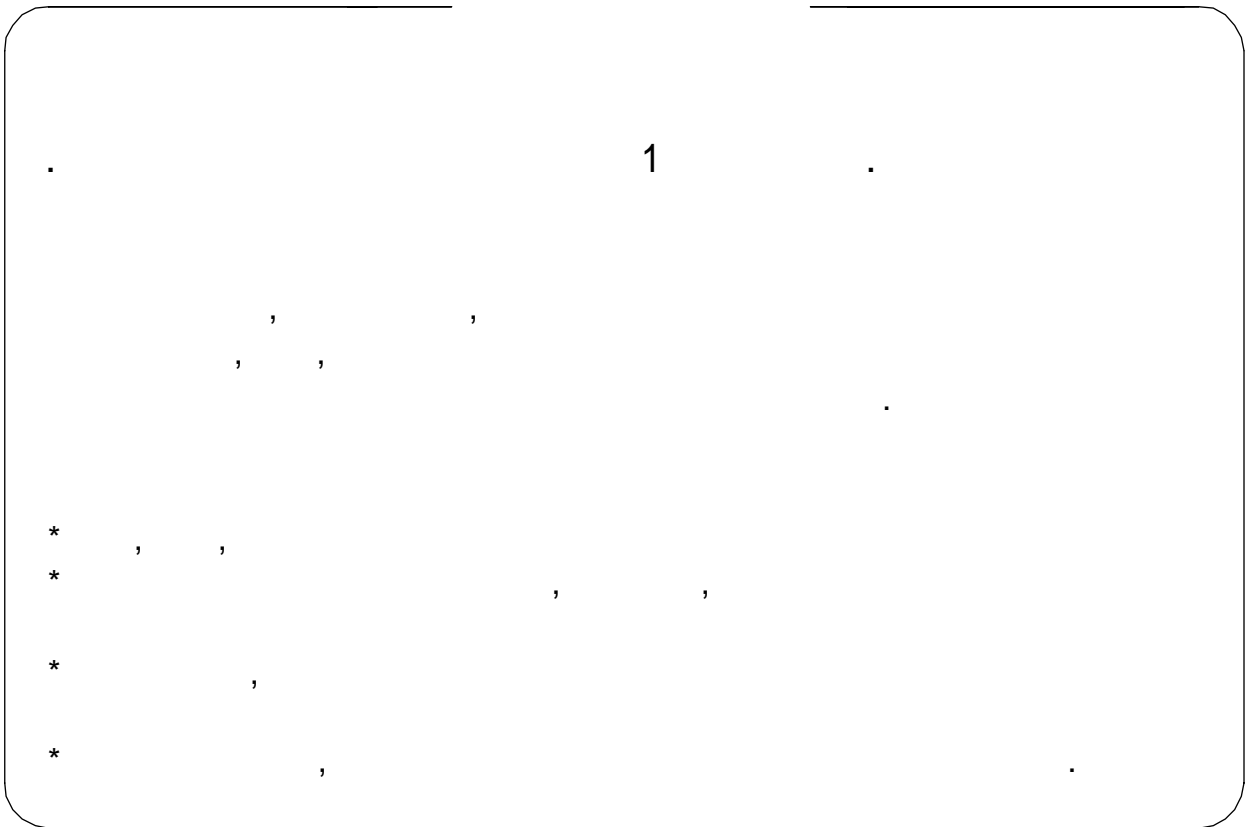
Er01 :	가	.
Er02 :		

7 .



8.





: 1 681-1
B 406

T E L : (051) 805-9678
F A X : (051) 803-5887
www.djst.co.kr



DFC-Series